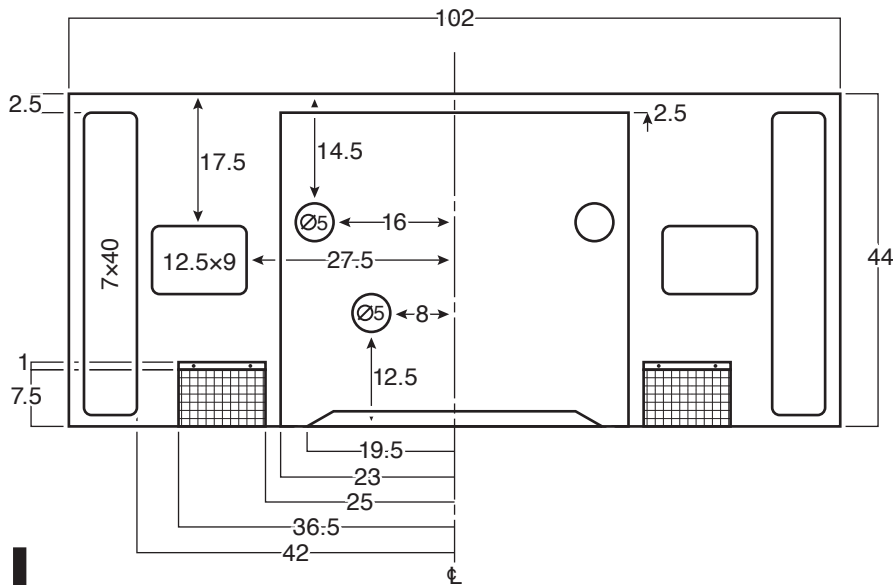
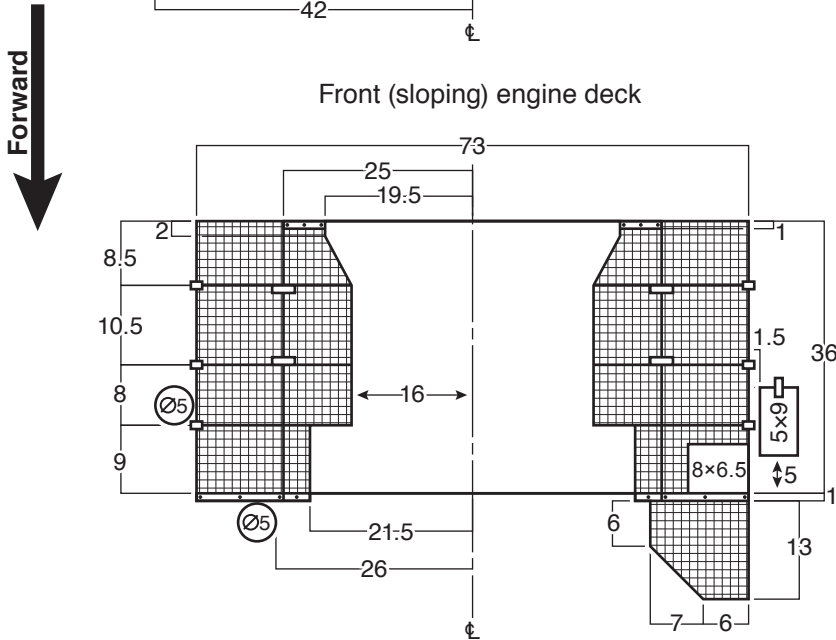


Rear (horizontal) engine deck



Front (sloping) engine deck

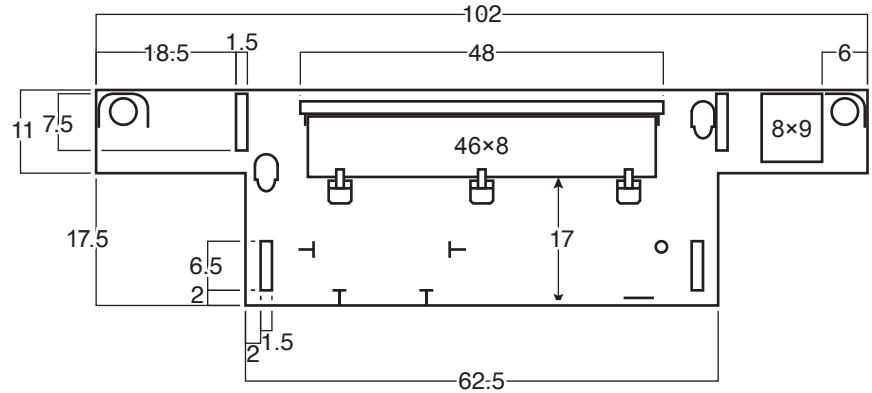


MBT-70 American Hull Rear

Based on the drawings in Walter J. Spielberger's *Waffensysteme Leopard 1 und Leopard 2* (Stuttgart: Motorbuch Verlag, 1995, ISBN 3-613-01655-9) and R.P. Hunnicutt's *Abrams: A History of the American Main Battle Tank, Volume 2* (Novato: Presidio Press, 1990, ISBN 0-89141-388-X) and photos found online.

Dimensions in millimetres for the 1/35 scale Dragon Models MBT-70/KPz. 70 kit. Left and right sides of the engine deck are mirror images, except for the details that clearly differ. Where measurements are only given for one side, they also apply to the corresponding item on the opposite side. Not all details are shown—refer to photographs for these.

Hull rear plate



Hatch and rain cover above it are horizontally centred on rear hull plate
Measure other details from drawing

Hull side plates (2 off)

